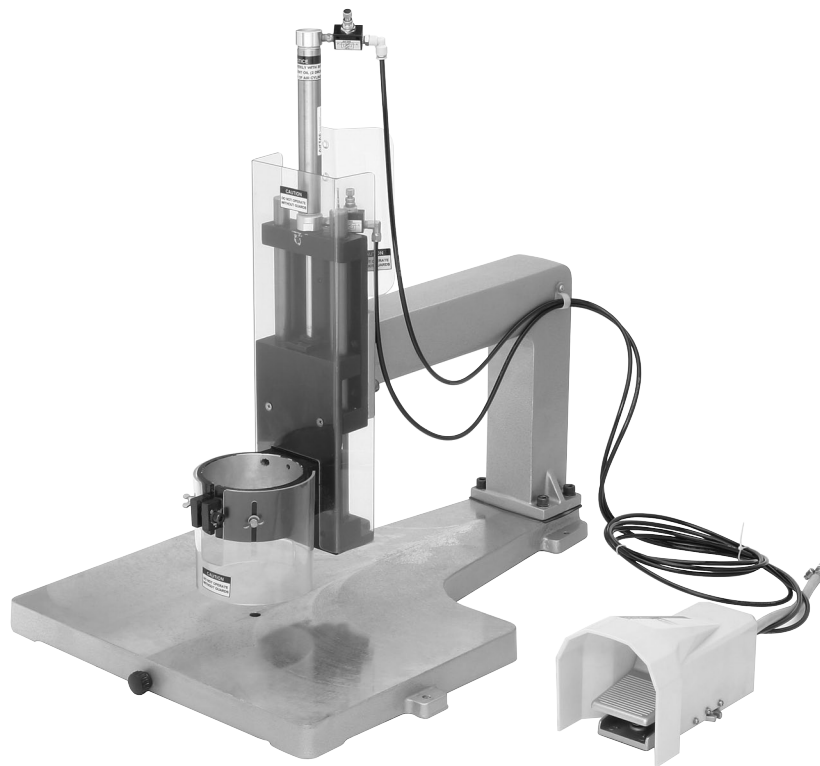




MODEL W1736 OVERARM ROUTER



INSTRUCTION MANUAL

Phone: 1-360-734-3482 • On-Line Technical Support: tech-support@shopfox.biz

COPYRIGHT © OCTOBER, 2004 BY WOODSTOCK INTERNATIONAL, INC.

WARNING: NO PORTION OF THIS MANUAL MAY BE REPRODUCED IN ANY SHAPE OR FORM WITHOUT
THE WRITTEN APPROVAL OF WOODSTOCK INTERNATIONAL, INC.

WARNING

Some dust created by power sanding, sawing, grinding, drilling, and other construction activities contains chemicals known to the State of California to cause cancer, birth defects or other reproductive harm. Some examples of these chemicals are:

- Lead from lead-based paints.
- Crystalline silica from bricks, cement, and other masonry products.
- Arsenic and chromium from chemically treated lumber.

Your risk from these exposures varies, depending on how often you do this type of work. To reduce your exposure to these chemicals: work in a well ventilated area, and work with approved safety equipment, such as those dust masks that are specially designed to filter out microscopic particles.

Table of Contents

INTRODUCTION 2

 Woodstock Technical Support..... 2

 About Your New Overarm Router..... 2

 Specifications 2

 Controls and Features 3

SAFETY..... 4

 Standard Safety Instructions 4

 Additional Safety Instructions for Overarm Routers..... 6

SET UP 7

 Unpacking 7

 Items Needed for Set Up..... 7

 Cleaning Parts 7

 Inventory 8

 Assembling Overarm Router 9

 Mounting..... 10

 Attaching Foot Switch 11

 Installing Router..... 12

 Aligning Router with Table Pin 13

 Connecting to Air 14

 Test Run 14

OPERATIONS 15

 General 15

 Adjusting Valves..... 15

 Adjusting Plunge Depth 16

 Using Table Pins..... 17

MAINTENANCE 18

 General 18

 Table 18

 Lubrication 18

 Troubleshooting 19

PARTS 20

WARRANTY 22

USE THE QUICK GUIDE PAGE LABELS TO SEARCH OUT INFORMATION FAST!



INTRODUCTION

Woodstock Technical Support

We stand behind our machines! In the event that a defect is found, parts are missing or questions arise about your machine, please contact Woodstock International Technical Support at 1-360-734-3482 or send e-mail to: tech-support@shopfox.biz. Our knowledgeable staff will help you troubleshoot problems, send out parts or arrange warranty returns.

If you need the latest edition of this manual, you can download it from <http://www.shopfox.biz>. If you still have questions after reading the latest manual, or if you have comments please contact us at:

Woodstock International, Inc.
Attn: Technical Support Department
P.O. Box 2309
Bellingham, WA 98227

About Your New Overarm Router

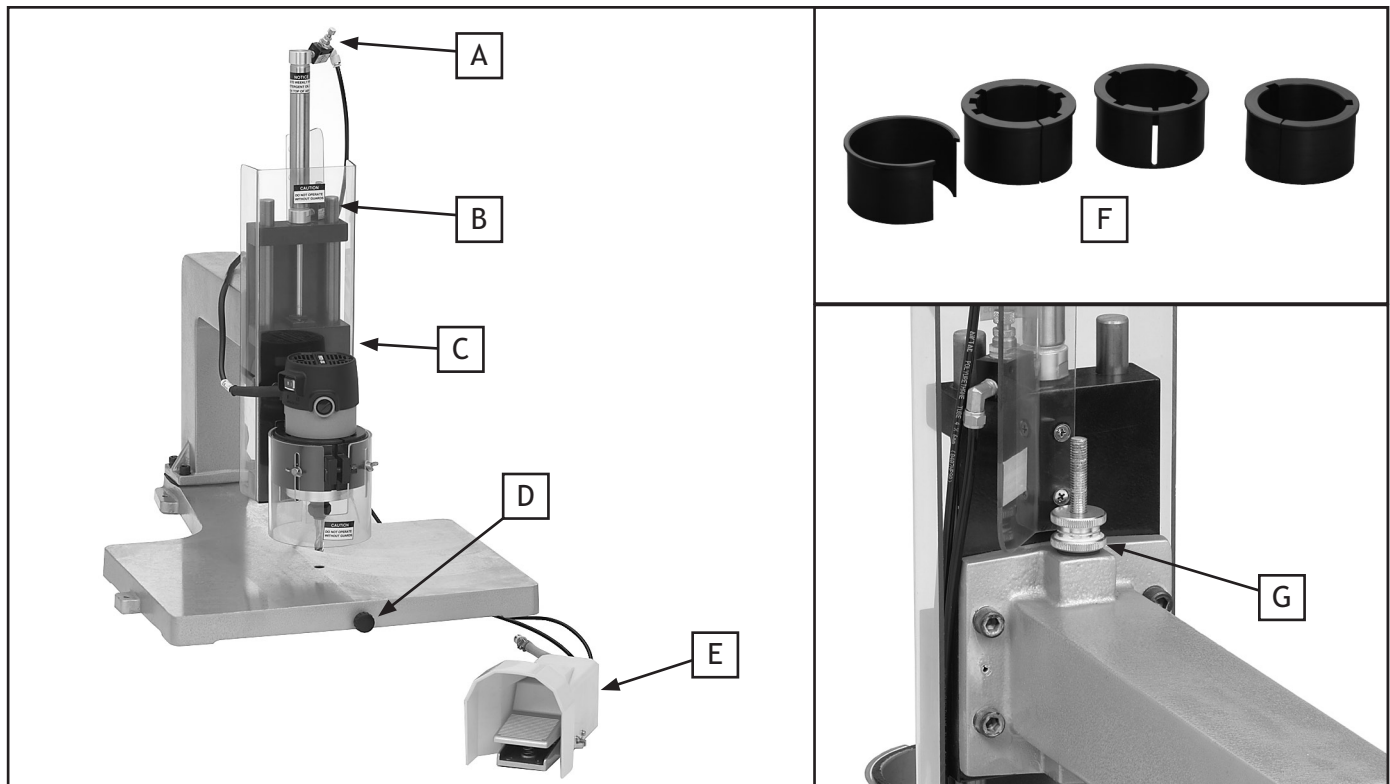
Your new SHOP FOX® Overarm Router has been specially designed to provide many years of trouble-free service. Close attention to detail, ruggedly built parts and a rigid quality control program assure safe and reliable operation.

Woodstock International, Inc. is committed to customer satisfaction in providing this manual. It is our intent to make sure all the information necessary for safety, ease of assembly, practical use and durability of this product be included.

Specifications

Table	19-3/4" W x 14" D x 1-3/8" Thick
Overall Height	31-3/8"
Overall Width	21-3/4"
Overall Depth	28-1/4"
Footprint	21-3/4" W x 28-1/4" D
Machine Weight.....	56 lbs
Maximum Head Stroke	5-1/2"
Maximum Distance Spindle to Table.....	6-1/2"
Maximum Distance Housing to Table.....	8-3/4"
Throat Capacity	18"
Router Adapter Sizes	3.25", 3.328", 3.5", 4.2"
Router Housing Size.....	4-1/2"
Table Pins (3)	3/16" x 1/4", 5/16" x 3/8", 7/16" x 1/2"
Table Construction.....	Milled Cast Aluminum
Body Construction	Cast Aluminum
Clamp Housing.....	Cast Aluminum
Required Operating Air Pressure	60 PSI
Maximum Air Pressure.....	115 PSI

Controls and Features



- A. **Top Valve:** Controls the speed that the router rises from the plunge (down) position.
- B. **Bottom Valve:** Controls the plunge speed of the router.
- C. **Head:** The part of the overarm assembly that houses the router motor and moves up and down when activated by the foot pedal.
- D. **Pin Adjustment Knob:** Locks the table pin in place for pin routing operations.
- E. **Foot Switch:** When connected to air, controls the up and down motion of the head.
- F. **Router Motor Adapters:** Allows various sizes and brands of router motors to be installed on the overarm assembly.
- G. **Plunge Depth Knob:** Adjusts the plunging depth of the head.

SAFETY

**READ MANUAL BEFORE OPERATING MACHINE.
FAILURE TO FOLLOW INSTRUCTIONS BELOW WILL
RESULT IN PERSONAL INJURY.**



Indicates an imminently hazardous situation which, if not avoided, **WILL** result in death or serious injury.



Indicates a potentially hazardous situation which, if not avoided, **COULD** result in death or serious injury.



Indicates a potentially hazardous situation which, if not avoided, **MAY** result in minor or moderate injury.

NOTICE

This symbol is used to alert the user to useful information about proper operation of the equipment, and/or a situation that may cause damage to the machinery.

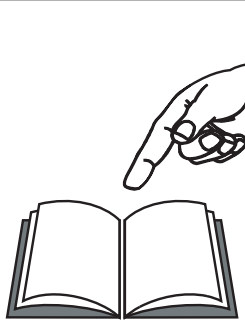
Standard Safety Instructions

1. **Thoroughly read the Instruction Manual before operating your machine.** Learn the applications, limitations and potential hazards of this machine. Keep the manual in a safe and convenient place for future reference.
2. **Keep work area clean and well lighted.** Clutter and inadequate lighting invite potential hazards.
3. **Ground all tools.** If a machine is equipped with a three-prong plug, it must be plugged into a three-hole grounded electrical receptacle or grounded extension cord. If using an adapter to aid in accommodating a two-hole receptacle, ground using a screw to a known ground.
4. **Wear eye protection at all times.** Use safety glasses with side shields or safety goggles that meet the appropriate standards of the American National Standards Institute (ANSI).
5. **Avoid dangerous environments.** Do not operate this machine in wet or open flame environments. Airborne dust particles could cause an explosion and severe fire hazard.
6. **Ensure all guards are securely in place and in working condition.**
7. **Make sure switch is in the OFF position** before connecting power to machine.
8. **Keep work area clean, free of clutter, grease, etc.**
9. **Keep children and visitors away.** Visitors must be kept at a safe distance while operating unit.
10. **Childproof your workshop** with padlocks, master switches or by removing starter keys.
11. **Stop and disconnect the machine when cleaning, adjusting or servicing.**

12. **Do not force tool.** The machine will do a safer and better job at the rate for which it was designed.
13. **Use correct tool.** Do not force machine or attachment to do a job for which it was not designed.
14. **Wear proper apparel.** Do not wear loose clothing, neck ties, gloves, jewelry, and secure long hair away from moving parts.
15. **Remove adjusting keys, rags, and tools.** Before turning the machine on, make it a habit to check that all adjusting keys and wrenches have been removed.
16. **Avoid using an extension cord.** But if you must use one, examine the extension cord to ensure it is in good condition. Immediately replace a damaged extension cord. Always use an extension cord that uses a ground pin and connected ground wire. Use an extension cord that meets the amp rating on the motor nameplate. If the motor is dual voltage, be sure to use the amp rating for the voltage you will be using. If you use an extension cord with an undersized gauge or one that is too long, excessive heat will be generated within the circuit, increasing the chance of a fire or damage to the circuit.
17. **Keep proper footing and balance** at all times.
18. **Lock the mobile base from moving before feeding the workpiece into the machine.**
19. **Do not leave machine unattended.** Wait until it comes to a complete stop before leaving the area.
20. **Perform machine maintenance and care.** Follow lubrication and accessory attachment instructions in the manual.
21. **Keep machine away from open flame.** Operating machines near pilot lights or open flames creates a high risk if dust is dispersed in the area. Dust particles and an ignition source may cause an explosion. Do not operate the machine in high-risk areas, including but not limited to, those mentioned above.
22. **If at any time you are experiencing** difficulties performing the intended operation, stop using the machine! Then contact our technical support or ask a qualified expert how the operation should be performed.
23. **Habits—good and bad—are hard to break.** Develop good habits in your shop and safety will become second-nature to you.
24. **Be aware that certain woods may cause an allergic reaction in people and animals,** especially when exposed to fine dust. Make sure you know what type of wood dust you will be exposed to and the possibility of an allergic reaction.

Additional Safety Instructions for Overarm Routers

SAFETY



⚠️ WARNING
 READ and understand this entire instruction manual before using this machine. Serious personal injury may occur if safety and operational information is not understood and followed. **DO NOT** risk your safety by not reading!

⚠️ CAUTION
 USE this and other machinery with caution and respect. Always consider safety first, as it applies to your individual working conditions. No list of safety guidelines can be complete—every shop environment is different. Failure to follow guidelines could result in serious personal injury, damage to equipment or poor work results.

1. **READ THE ROUTER MANUAL.** Read and understand the instruction manual that was included with the router you intend to install. If you do not understand the safety and operation instructions for your router, do not install it on the Model W1736.
2. **ROUTER INSTALLATION.** Make sure the installed router is tightly secured in the housing before turning it *ON*.
3. **PLUNGE DEPTH.** Always check the plunge depth with the router turned *OFF* to make sure that an installed router bit will not contact the table when the foot switch is pressed and the router is running.
4. **GUARDS.** Make sure all guards are in place during operation. If you remove them for cleaning, replace them immediately. If guards become cracked, replace them immediately before operating the Model W1736 again.
5. **AVOIDING CONTACT WITH ROUTER BIT.**
 - Never place your hand under the router while the router is *ON* or when plunging the router.
 - Never attempt a routing operation that will bring any part of your hand/fingers within 12" of the spinning router bit.
 - If the workpiece is too small, build a clamping jig to hold in place, or use a longer workpiece and cut to size after routing.
 - Use the table pin. The table pin guides the workpiece in a predictable manner and greatly increases operator control in the event of a kickback or climb cut.
6. **PATTERN ROUTING.** Test all patterns with the table pin to make sure that the pattern template works before attempting to rout your workpiece.

SET UP

Unpacking

The **SHOP FOX®** Model W1736 has been carefully packaged for safe transporting. If you notice the machine has been damaged, please contact Woodstock International Technical Support at 1-360-734-3482 or send e-mail to: tech-support@shopfox.biz

Items Needed for Set Up

The following items are needed, but not included, to setup your machine:

- Air Compressor.....1
- Air Hose with 3/8" Female Quick Connect Fitting ...1
- Hex Wrench 6mm.....1
- Hex Wrench 8mm.....1
- Phillips Screwdriver1
- Open-End Wrench 12mm1
- Open-End Wrench 17mm1
- Router w/Removable Base.....1
- Mounting Hardware Specific to Application.... Varies

Cleaning Parts

The table and other unpainted parts of your overarm router are coated with a waxy grease that protects them from corrosion during shipment.

Clean this grease off with a solvent cleaner or citrus-based degreaser. **DO NOT** use chlorine-based solvents such as brake parts cleaner or acetone—if you happen to splash some onto a painted surface, you will ruin the finish.

! WARNING

READ and understand this entire instruction manual before using this machine. Serious personal injury may occur if safety and operational information is not understood and followed. **DO NOT** risk your safety by not reading!

! CAUTION

MAKE your shop “child safe.” Ensure that your workplace is inaccessible to youngsters by closing and locking all entrances when you are away. **NEVER** allow untrained visitors in your shop when assembling, adjusting or operating equipment.

SET UP

Inventory

The following is a description of the inventory of the components shipped with the **SHOP FOX®** Model W1736. Lay the components out and inventory your shipment.

Main Inventory Components (Figure 1)

A.	Table	1
B.	Support Arm	1
C.	Router Adapters	4
	• 3.25" (fits many Makita)	
	• 3.328" (fits many Milwaukee)	
	• 3.5" (fits many Bosch, Porter-Cable, & Makita)	
	• 4.2" (fits many Porter-Cable)	
D.	Head Assembly	1
E.	Foot Switch Assembly	1
F.	Router Safety Guard	1
G.	Front Guard	1
H.	Side Guard	1

Part and Fastener Hardware (Figure 2)

I.	Table Pin Knob Bolt	1
J.	Rubber Gasket	1
K.	Table Pins	3
L.	Rubber Washer 11mm	1
M.	Round Adjustment Nuts M10-1.5	2
N.	Hardware Bag	1
	• Cap Screws M10-1.5 x 45	4
	• Cap Screws M10-1.5 x 25	4
	• Lock Washers 10mm	8
	• Flat Head Screws M5-.8 x 10	4
	• Lock Nut M10-1.5	1
	• Thumbscrews M5-.8 x 10	2
	• Plastic Washers 5mm	2
	• Flange Screw M4-.7 x 12	1
O.	Cord Loop 5/8"	1
P.	Shaft Screw	1

If any parts appear to be missing, examine the packaging carefully to be sure those parts are not among the packing materials. If any parts cannot be found, find the part number in the back of this manual and contact Woodstock International, Inc. at 360-734-3482 or at tech-support@shopfox.biz

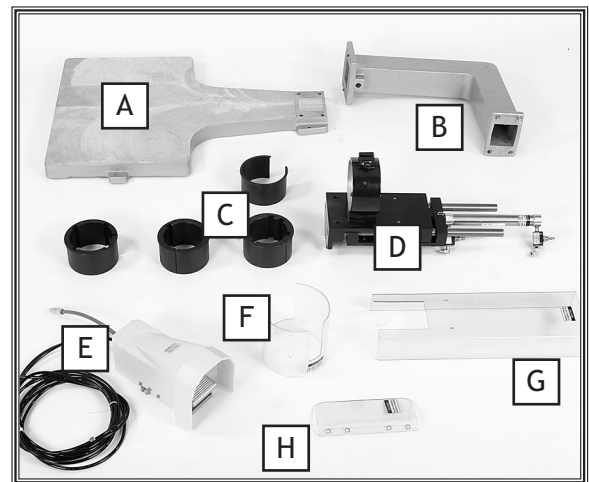


Figure 1. Main inventory components.

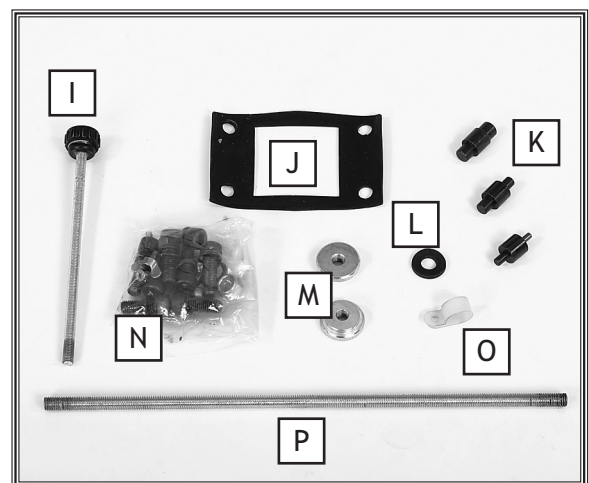


Figure 2. Part and fastener hardware.

NOTICE

When ordering replacement parts, refer to the parts list and diagram in the back of the manual.

Assembling Overarm Router

1. Using four M10-1.5 x 45 cap screws and lock washers, attach the support arm to the table with the rubber gasket in the middle (see **Figure 3**).
2. Mount the head assembly to the support arm with four M10-1.5 x 25 cap screws and lock washers (see **Figure 3**), and tighten evenly.
3. Attach the side guard to the head assembly with two flat head screws (see **Figure 3**).
4. Thread the round adjustment nuts onto the shaft, and slide the rubber washer over the shaft and up against the round adjustment nuts.
5. Insert the shaft into the head assembly and tighten the lock nut onto the end of the shaft (see **Figure 4**).
6. Install the front guard with two flat head screws, taking care not to break the guard by overtightening (see **Figure 5**).
7. Install the router safety guard with the two thumb-screws and plastic washers, taking care not to break the guard by overtightening (see **Figure 5**).
8. Thread the table pin knob bolt into the front of the table (see **Figure 5**). (It may help to lift the table so you can see where the shaft needs to thread into the table.)
9. Install the cord loop with the M4-.7 x 12 flange screw (see **Figure 5**).

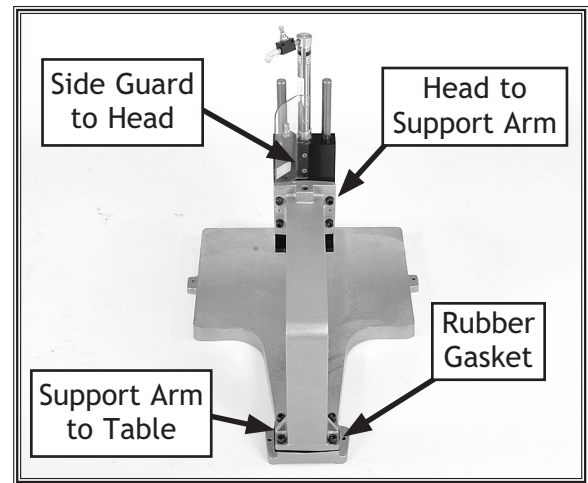


Figure 3. Initial assembly of support arm, head assembly, and side guard.

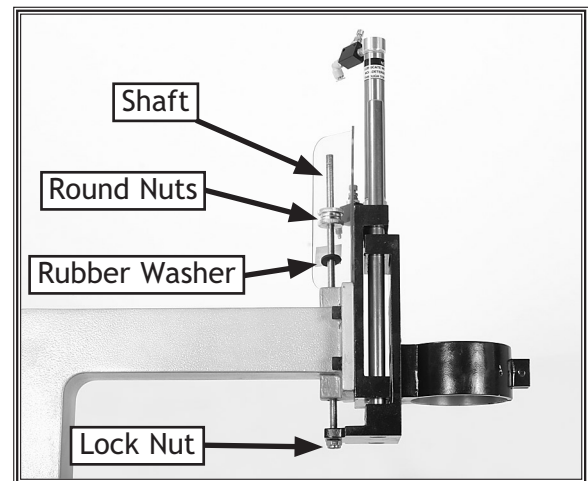


Figure 4. Shaft, round nuts, rubber washer, and lock nut installed.

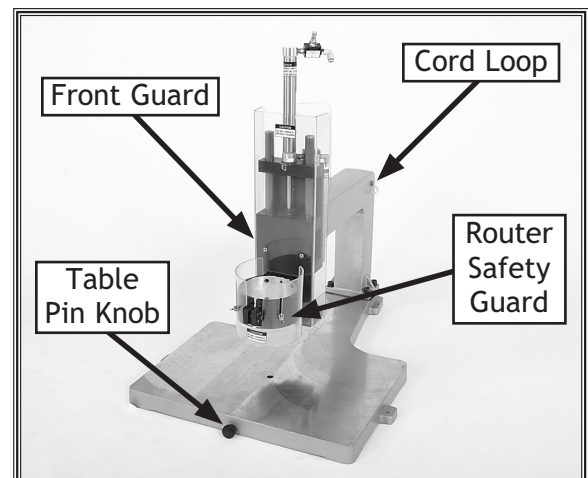


Figure 5. Front and router guards, cord loop, and table pin knob installed.

Mounting

For stable and safe operation, the overarm router should be mounted to a workbench.

If you intend on using the overarm router for portable applications, mount it to a heavy plywood base (at least 1" thick) that is wide enough to prevent tipping or rocking. Clamp the base to the workbench or stable work surface before operating the router.

To mount the overarm router, do these steps:

1. Determine the surface or object to which you will mount your overarm router, ensure that you have enough space for the table footprint (**Figure 6**), and obtain the needed hardware for your mounting application.

Note: Bolts/screws should be long enough to account for the thickness of the table and the supporting surface you are mounting it to.

2. Fasten the table of the overarm router to your supporting surface.
3. Check the stability of the mounted overarm router to make sure it is stable enough to be used safely.

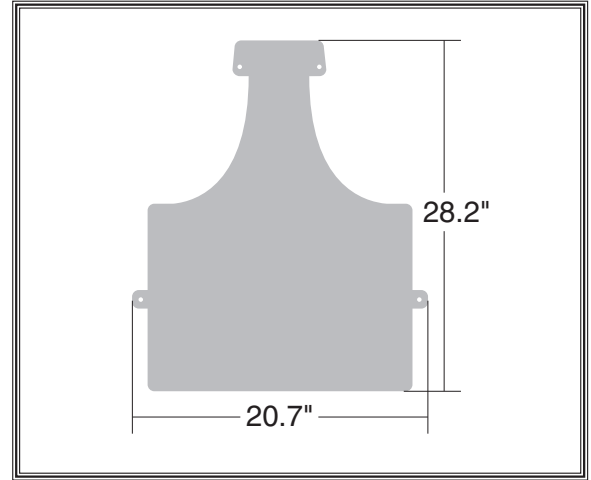


Figure 6. Table footprint.

Attaching Foot Switch

The foot switch attaches to the valves on the overarm router assembly with the two small air hoses. The air hose ports at the foot switch are labeled "R" and "S", as shown in **Figure 7**.

To attach the foot switch, do these steps:

1. Attach the hose connected to port "R" to the top valve (see **Figure 8**) on the air cylinder by pushing the hose into the fitting.
2. Attach the hose connected to port "S" to the bottom valve on the air cylinder by removing the nut, pushing the hose all the way over the lip on the fitting, and tightening the nut over the threads.

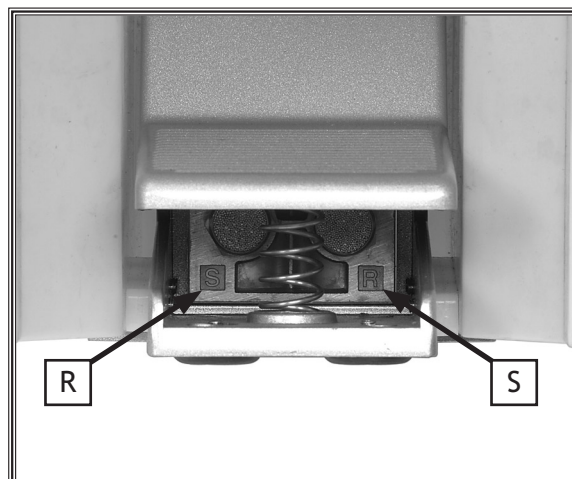


Figure 7. Hose/port labels on foot switch, as viewed straight on.

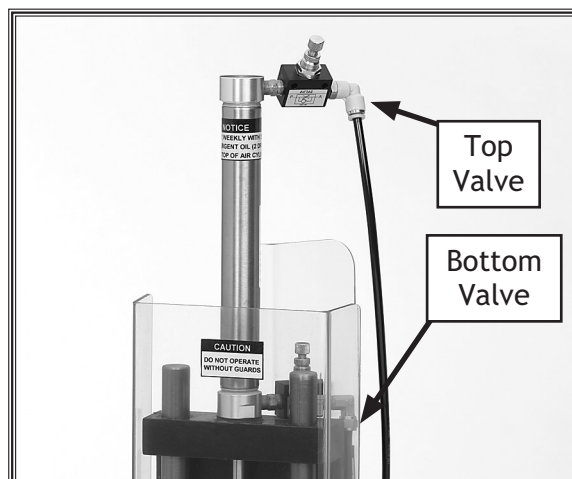


Figure 8. Air hose attachment locations.

Installing Router

The adapters included with the Model W1736 are designed for most common sizes of Makita, Milwaukee, Bosch, Porter-Cable, and Dewalt routers that have detachable bases.

To install a router motor into the overarm router assembly, do these steps:

1. Remove your router motor from its base and measure the diameter of the router motor or the base from which it was removed. (If your router size does not closely match any of the adapters, you may not be able to safely mount your router motor on the Model W1736.)
2. Slide the correct size adapter over the router motor, as shown in **Figure 9**, aligning any pins in the router with the slots in the adapter and making sure that the adapter lip is toward the top part of the router.

Note: The adapter must have a snug fit all the way around the router body or it will not secure to the housing properly. Refer to **Figure 10** to ensure a proper fit.

3. Insert the router motor/adapter assembly into the housing on the overarm router assembly.
4. Using a 6mm hex wrench, tighten the cap screw at the front of the housing to secure the router motor (see **Figure 11**).
5. Check that the router motor is tightly secured in the housing by pulling on it to see if it can be pulled out of the housing.
 - If the router motor is loose or can be pulled out of the housing, then it is not fastened correctly or installed with the correct adapter. Remove the router and try refastening it, or remeasure your router and ensure that you are using the correct adapter.
 - If the router motor cannot be pulled out by hand, then proceed with the rest of the setup process.

Note: If the router is contacting the table in the down position, adjust the plunge depth knob (see **Page 3**) so the router will not contact the table in the down position.



Figure 9. Fitting correct size adapter onto router motor.

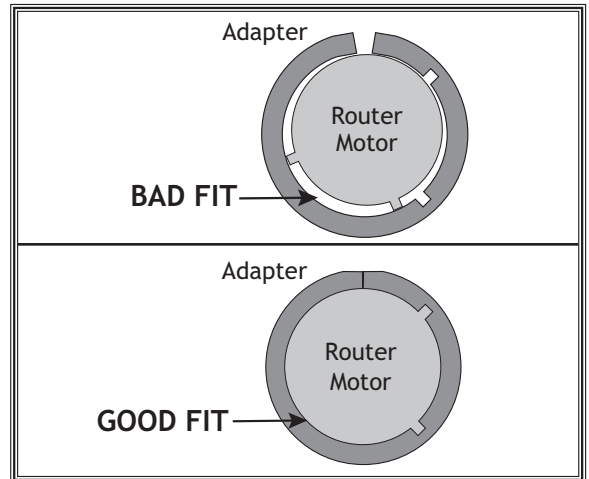


Figure 10. Illustration of a good vs. bad fit between router motor and adapter.

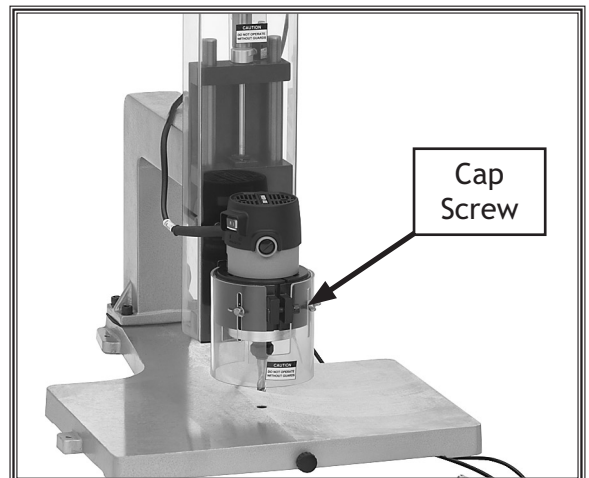


Figure 11. Router motor secured in overarm assembly.

Aligning Router with Table Pin

The router motor must be aligned with the table pin to ensure accurate work during pin routing operations.

To check/align the router to the table pin, do these steps:

1. Install a 1/4" straight bit into the router.
2. Insert the 1/4" table pin into the center of the table so the 1/4" side of the pin is facing up.
3. Locate a piece of scrap 2x4 that is at least 4" long, drill completely through the center of it with a 17/64" drill bit, so it is slightly larger than the 1/4" table pin (see **Figure 12**).
4. Fit the hole in the scrap piece of wood over the table pin so the scrap piece rests on the table.
5. Using the plunge depth knob shown on **Page 3**, lower the installed bit just above the drilled hole.
6. Examine the alignment of the installed router bit with the hole.
 - If the router bit will fit into the hole, skip to **Step 8**.
 - If the router bit will not fit into the hole, then the support arm must be adjusted so the router bit will fit in the hole. Proceed to **Step 7**.
7. Loosen the four cap screws that mount the support arm to the base, align the router bit to the hole in the scrap piece of wood as shown in **Figure 13**, and tighten the four cap screws.
8. Lower the router bit into the hole to check for linear alignment (see **Figure 14**).
 - If the router bit lowers completely into the hole without getting hung up, then the router is aligned with the table pin.
 - If the router bit gets hung up when being lowered into the hole, then slightly shim the support arm with shim stock and repeat **Steps 7-8**.

Note: Minor adjustments can be made by snugging down the cap screws (squeezing the rubber gasket between the support arm and the base) in the intended direction of adjustment.

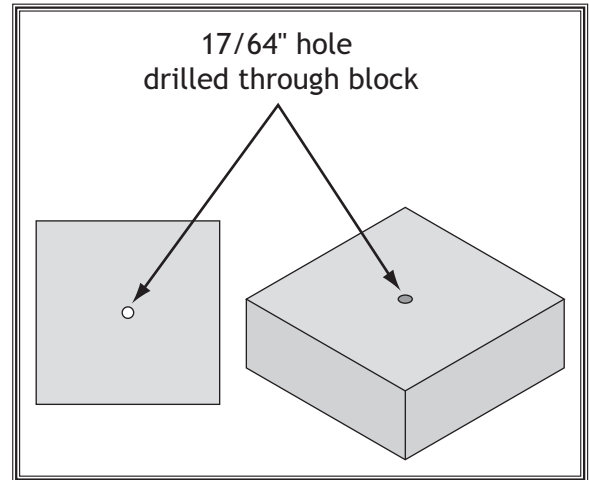


Figure 12. Example of shop-made alignment block with 17/64" hole.

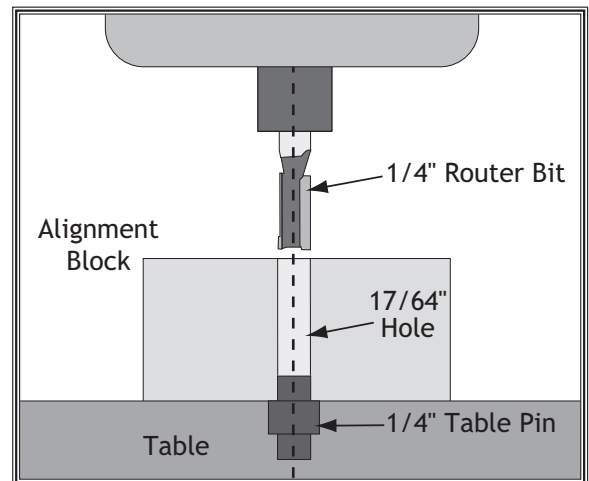


Figure 13. Shop-made alignment block being used to align router with table pin.

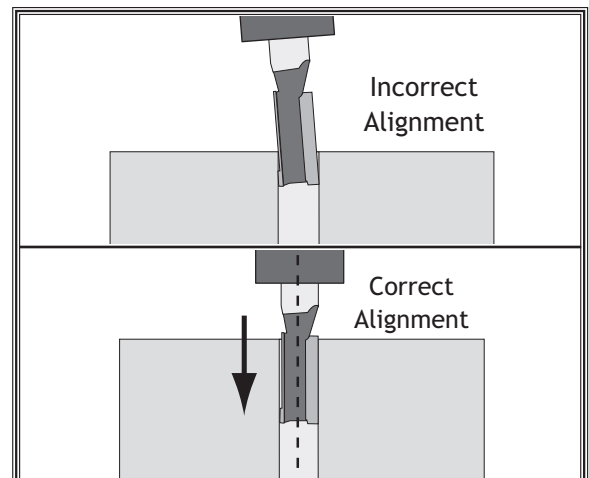


Figure 14. Checking linear alignment by lowering router bit into the hole.

Connecting to Air

Depending on the type of air fitting you have on the end of your air hose, you may need to replace the included male 1/4 NPT fitting with the style of 1/4 NPT fitting suitable for the female quick connect in your shop.

To connect your overarm router to the air compressor, do these steps:

1. Regulate the pressure of your air compressor to 60 PSI. *NEVER exceed 115 PSI when your overarm router is connected to the air compressor or damage may occur!*
2. Connect your air hose to the small hose attached to the foot switch.

Note: If you hear any air leaks, locate the leaky fittings quickly and immediately disconnect the overarm router from the air system. Tighten the fittings and reconnect them to the air system. If the components are still leaking, reinstall them with a liquid thread sealer to ensure a sealed fit.

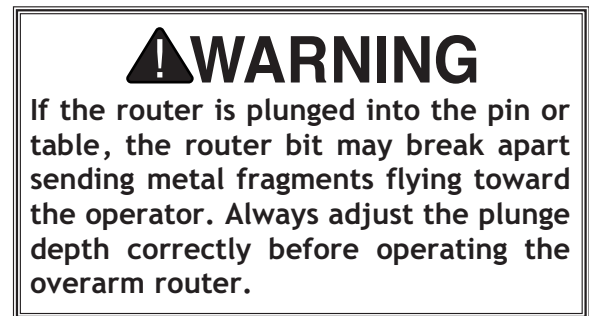
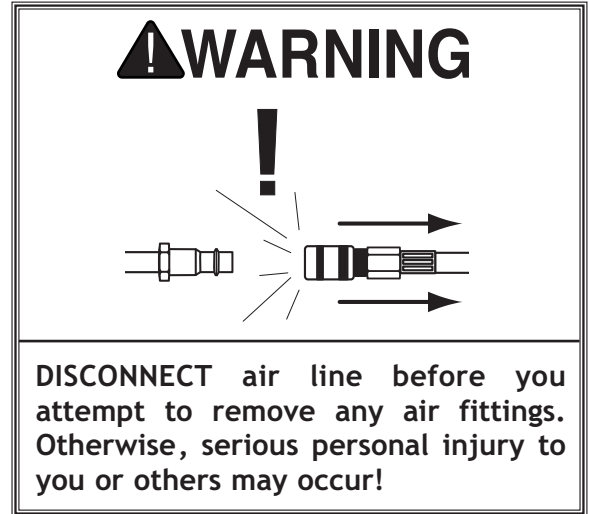
Test Run

The purpose of a test run is to ensure that the router motor drops while the foot switch is pressed and raises when the foot switch is released.

Note: Before performing the test run, make sure that the router is adjusted high enough so that it will not hit the table pin when the foot pedal is pressed.

Perform a test run now by pushing and releasing the foot switch.

- If the router does not perform correctly, then the valves will likely need to be adjusted. See **Adjusting Valves** on Page 15.



OPERATIONS

General

We strongly recommend that you read books, trade articles or seek training with overarm routers before performing any cuts in which you are not confident. **Above all, your safety should come first.** This recommended research will pay off with your increased safety, the quality of your work and the gain in knowledge you will make as a woodworker.

Adjusting Valves

The top and bottom valves attached to the air cylinder (Figure 15) allow the operator to adjust the speed in which the router moves up and down when the foot switch is pressed and released. Turning the valves counterclockwise increases the speed and turning them clockwise decreases the speed in their respective direction.

Bottom Valve = Down Speed

The bottom valve controls how fast the router moves down when the foot switch is pressed.

Top Valve = Up Speed

The top valve controls how fast the router moves up when the foot switch is released.

CAUTION

Proper plunge rates vary with bit type, hardness of wood, and size of router installed. Usually this can be determined with trial and error. However, always set the plunge rate to the slowest effective speed and work up from there. Using too fast of a plunge rate may create an unsafe situation by breaking apart the router bit, router, or workpiece at a high rate of speed.

CAUTION

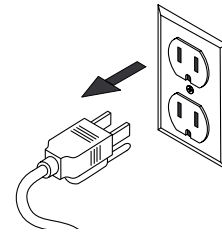
Only certain router bits are designed for plunge cuts. Attempting to plunge cut with a non-plunging router bit may create an unsafe situation by breaking apart the router bit, router, or workpiece at a high rate of speed.

WARNING



Always wear safety glasses when operating the Overarm Router. Failure to comply may result in serious personal injury.

WARNING



DO NOT investigate problems or adjust the router while it is running. Wait until the machine is turned off, unplugged and all working parts have come to a complete stop before proceeding!

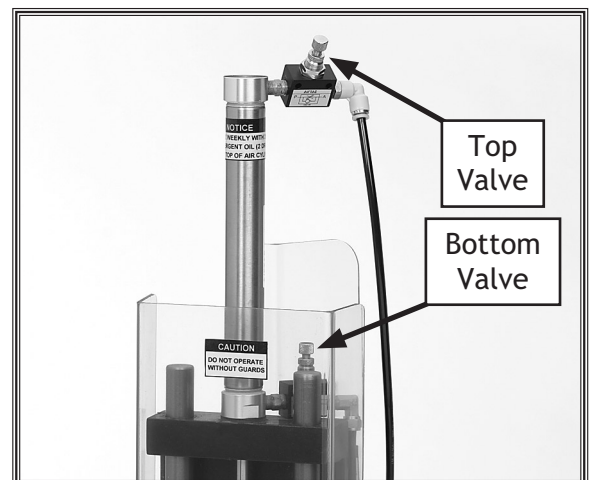


Figure 15. Top and bottom valve locations.

Adjusting Plunge Depth

The height adjustment nuts, shown in **Figure 16**, limit how far down the router will plunge when the foot switch is pressed.

To adjust the height, do these steps:

1. Move the router guard all the way up and temporarily tighten it in place.
2. Loosen the top adjustment nut.
3. Turn both nuts up or down, as needed, and test the plunge depth by pressing the foot pedal. Repeat this step until the plunge depth is at the correct height.
4. Tighten the top adjustment nut against the lower adjustment nut to secure the lower nut in place.
5. Adjust the height of the router guard so it is just above the workpiece when the head is completely lowered.

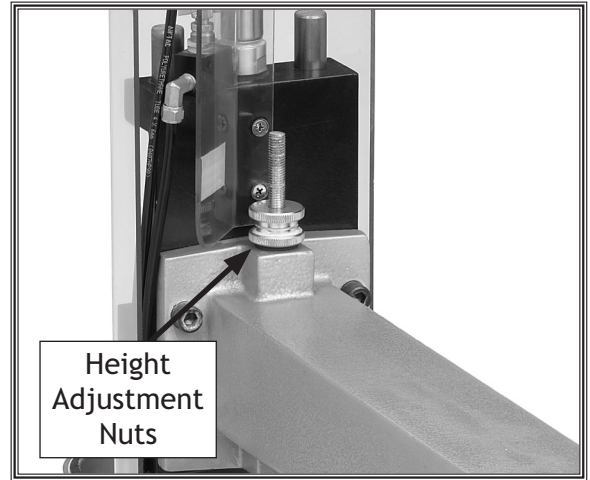


Figure 16. The height adjustment nuts for controlling plunge depth.

WARNING

If the router is plunged into the pin or table, the router bit may break apart sending metal fragments flying toward the operator. Always adjust the plunge depth correctly before operating the overarm router.

Using Table Pins

The table pins are provided so you can use your router as a "Pin Router" (see **Figure 17**). Three double-sided table pins are included with your overarm router in the following sizes: 3/16", 1/4", 5/16", 3/8", 7/16", and 1/2".

With a table pin installed, the operator can use a pre-routed pattern jig to easily replicate a pattern onto a workpiece that is clamped to the jig. See **Figure 18** for details.

To use a table pin, do these steps:

1. Select the table pin size that matches the pre-routed groove in your jig. (These instructions assume that you have done your own research on building template jigs, and that you have built a jig before attempting this operation.)
2. Insert the table pin into the hole in the center of the table.
3. Make sure the shoulder on the table pin is flush with the table top, and tighten it with the pin lock knob.
4. Place the pattern of your pre-routed jig over the table pin, and make sure the pattern moves freely over the table pin and does not bind or stop.
5. Adjust the plunge depth just beyond the thickness of the workpiece you will clamp onto the jig.
6. Start the router, plunge the router bit into the workpiece, and guide the jig along the pre-routed channel in the bottom to cut the workpiece clamped to the top.

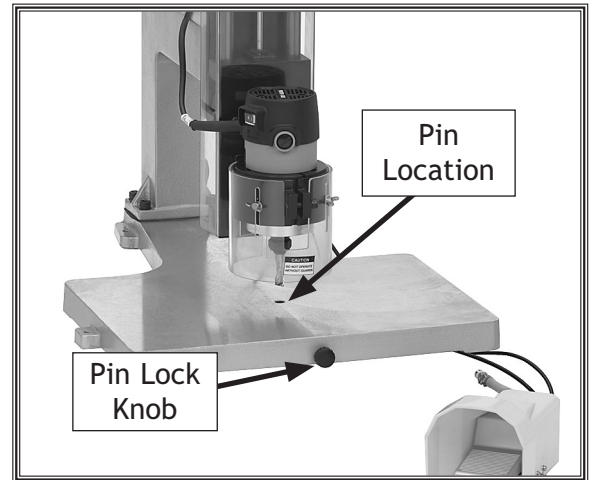


Figure 17. Pin location and lock knob.

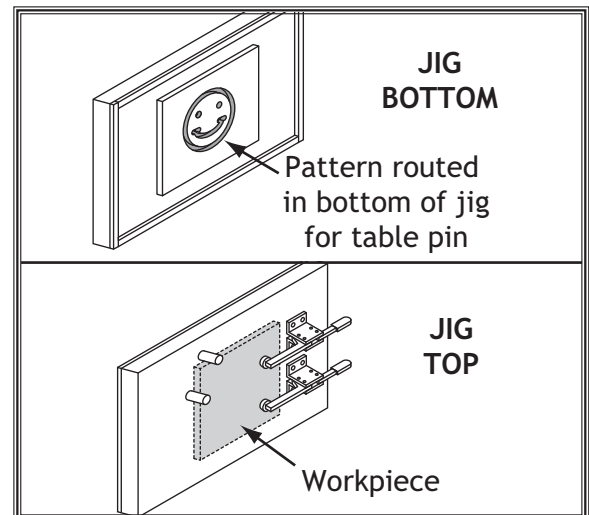


Figure 18. Example pattern template for use with the table pin.

MAINTENANCE

General

Regular periodic maintenance on your **SHOP FOX®** Model W1736 will ensure its optimum performance. Make a habit of inspecting your table saw each time you use it.

Check for the following conditions and repair or replace when necessary:

- Loose mounting bolts
- Damaged or leaky air hoses
- Loose or leaky air fittings/valves
- Cracked eye shields/guards
- Loose router bit in collet

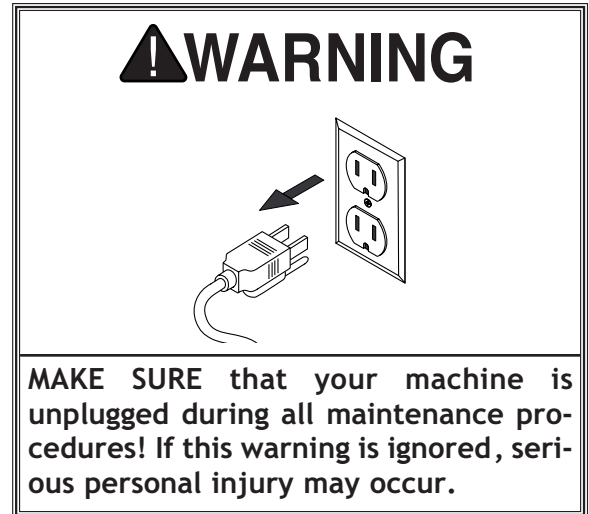
Table

The table can be kept slippery with regular applications of a non-staining, woodworking friendly lubrication.

Lubrication

The air cylinder must be lubricated regularly. For best results, install a lubricator in your air line.

If you do not have a lubricator installed in your air line, put two drops of 30 WT non-detergent oil directly into the air hose that connects to the foot switch. Repeat this weekly.



Troubleshooting

This section covers the most common overarm router problems. DO NOT make any adjustments until the overarm router is unplugged, disconnected from air, and has completely stopped moving. If you need additional help, please contact Woodstock International Technical Support at 1-360-734-3482 or send e-mail to: tech-support@shopfox.biz.

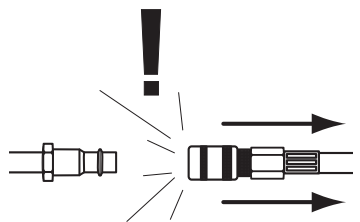
SYMPTOM	POSSIBLE CAUSE	CORRECTIVE ACTION
Router will not plunge when foot switch is pressed.	<ol style="list-style-type: none"> 1. Low air pressure. Bottom adjustment valve is closed. 2. Air lines from foot switch connected to the adjustment valves in the reverse position. 3. Pedal controller inside foot switch is worn or damaged. 	<ol style="list-style-type: none"> 1. Increase the air pressure to at least 60 PSI. Open the adjustment valve (turn counterclockwise). 2. Remove the air lines from the adjustment valves and re-install in the reverse order. 3. Replace the foot switch control valve with a new one.
Sluggish performance from the air cylinder (slow plunging and raising even after valves have been adjusted correctly).	<ol style="list-style-type: none"> 1. Low air pressure. 2. Air cylinder needs lubrication. 3. Rings inside of air cylinder damaged from lack of lubrication or old age. 	<ol style="list-style-type: none"> 1. Increase the air pressure to at least 60 PSI. 2. Put 4-5 drops of non-detergent 30 WT oil into the air line, or refill an in-line lubricator if installed. 3. Replace the air cylinder with a new one, and flush any rust from the air supply lines in your shop.
Router will not fit correctly into adapter or housing.	<ol style="list-style-type: none"> 1. Router is not sized correctly for the Model W1736. 	<ol style="list-style-type: none"> 1. Use the following size and type of router: <ul style="list-style-type: none"> • 3.25" (fits many Makita) • 3.328" (fits many Milwaukee) • 3.5" (fits many Bosch, Porter-Cable, & Makita) • 4.2" (fits many Porter-Cable)

⚠ WARNING



DO NOT investigate problems or adjust the router while it is running. Wait until the machine is turned off, unplugged and all working parts have come to a complete stop before proceeding!

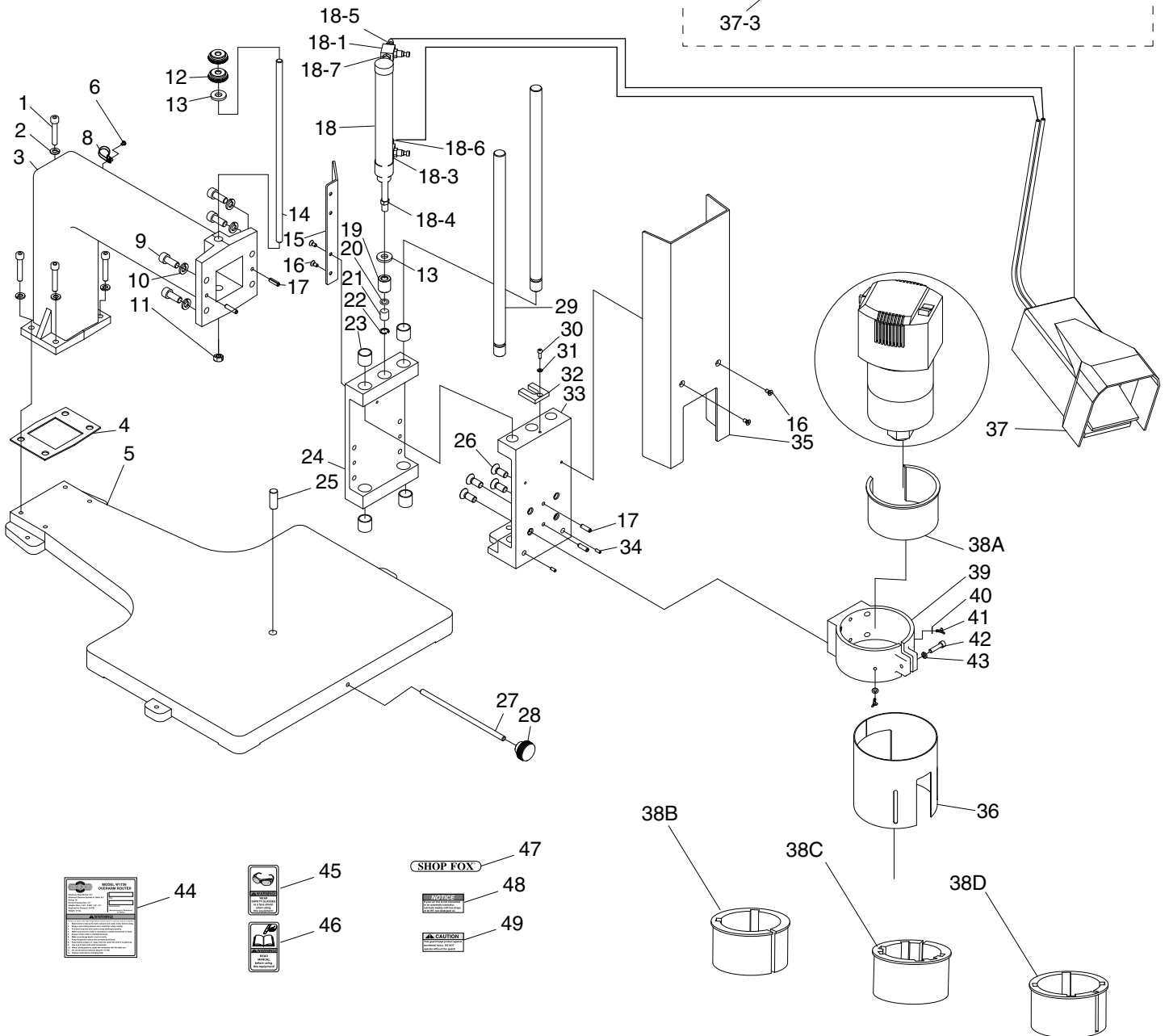
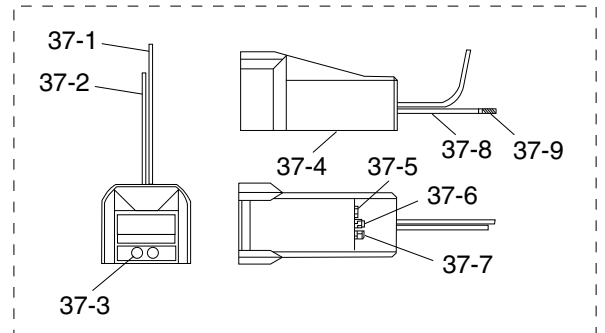
⚠ WARNING



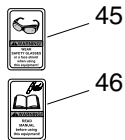
DISCONNECT air line before you attempt to remove any air fittings or components. Otherwise, serious personal injury to you or others may occur!

MAINTENANCE

PARTS



PARTS



REF	PART #	DESCRIPTION
1	XPSB70M	CAP SCREW M10-1.5 X 45
2	XPLW06M	LOCK WASHER 10MM
3	X1736003	SUPPORT ARM
4	X1736004	RUBBER GASKET
5	X1736005	TABLE
6	XPS02M	PHLP HD SCR M4-.7 x 12
8	X1736008	CORD CLAMP 5/8
9	XPSB64M	CAP SCREW M10-1.5 X 25
10	XPLW06M	LOCK WASHER 10MM
11	XPLN05M	LOCK NUT M10-1.5
12	X1736012	ROUND ADJUSTMENT NUT
13	X1736013	RUBBER WASHER 11MM
14	X1736014	SHAFT SCREW M10-1.5 X 360
15	X1736015	SIDE GUARD
16	XPFH07M	FLAT HD SCR M5-.8 X 10
17	XPRP07M	ROLL PIN 6 X 20
18	X1736018	AIR CYLINDER ASSEMBLY
18-1	X1736018-1	UPPER FLOW CONTROL VALVE
18-3	X1736018-3	LOWER FLOW CONTROL VALVE
18-4	X1736018-4	CYLINDER NUT M10-1.25
18-5	X1736018-5	QUICK JOINT (4 X 6)
18-6	X1736018-6	ELBOW (4 X 6)
18-7	X1736018-7	UNION
19	X1736019	IMMOVABLE NUT M20-1.5
20	X1736020	O-RING 11 X 1.5MM
21	X1736021	IMMOBILE NUT
22	XPR54M	INT RETAINING RING 15MM
23	X1736023	BUSHING
24	X1736024	IMMOBILE HEAD BASE
25A	X1736025A	TABLE PIN 3/16", 1/4"
25B	X1736025B	TABLE PIN 5/16", 3/8"
25C	X1736025C	TABLE PIN 7/16", 1/2"
26	XPFH14M	FLAT HD CAP SCR M10-1.5 X 25
27	X1736027	SHAFT SCREW M8-1.25 X 190

REF	PART #	DESCRIPTION
28	X1736028	PIN ADJUSTMENT KNOB M8-1.25
29	X1736029	SHAFT
30	XPSB23M	CAP SCREW M4-.7 X 12
31	XPLW02M	LOCK WASHER 4MM
32	X1736032	HEAD CLAMP
33	X1736033	HEAD
34	XPSS34M	SET SCREW M5-.8 X 16
35	X1736035	FRONT GUARD
36	X1736036	SAFETY GUARD
37	X1736037	FOOT SWITCH ASSEMBLY
37-1	X1736037-1	AIR HOSE 4 X 6 X 325MM
37-2	X1736037-2	AIR HOSE 4 X 6 X 300MM
37-3	X1736037-3	MUFFLER 1/4"
37-4	X1736037-4	FOOT SWITCH CONTROL VALVE
37-5	X1736037-5	SLIP JOINT 1/4" (4 X 6)
37-6	X1736037-6	ALIGN JOINT 1/4" (4 X 6)
37-7	X1736037-7	ALIGN JOINT 1/4" (5 X 8)
37-8	X1736037-8	AIR HOSE 5 X 8 X 30
37-9	X1736037-9	QUICK JOINT 8MM
38A	X1736038A	INSERT COVER ONE 4.2
38B	X1736038B	INSERT COVER TWO 3.5
38C	X1736038C	INSERT COVER THREE 3.328
38D	X1736038D	INSERT COVER FOUR 3.25
39	X1736039	CONSTRAINT
40	X1736040	PLASTIC WASHER 5MM
41	X1736041	THUMB SCREW M5-.8 X 10
42	XPSB31M	CAP SCREW M8-1.25 X 25
43	XPLW04M	LOCK WASHER 8MM
44	X1736044	MACHINE ID LABEL
45	XLABEL01	SAFETY GLASSES LABEL
46	XLABEL08	READ MANUAL LABEL
47	X1736047	SHOP FOX LOGO LABEL
48	X1736048	LUBRICATION NOTICE LABEL
49	X1736049	GUARD CAUTION LABEL

WARRANTY

Woodstock International, Inc. warrants all **SHOP FOX**[®] machinery to be free of defects from workmanship and materials for a period of 2 years from the date of original purchase by the original owner. This warranty does not apply to defects due directly or indirectly to misuse, abuse, negligence or accidents, lack of maintenance, or to repairs or alterations made or specifically authorized by anyone other than Woodstock International, Inc.

Woodstock International, Inc. will repair or replace, at its expense and at its option, the **SHOP FOX**[®] machine or machine part which in normal use has proven to be defective, provided that the original owner returns the product prepaid to the **SHOP FOX**[®] factory service center or authorized repair facility designated by our Bellingham, WA office, with proof of their purchase of the product within 2 years, and provides Woodstock International, Inc. reasonable opportunity to verify the alleged defect through inspection. If it is determined there is no defect, or that the defect resulted from causes not within the scope of Woodstock International Inc.'s warranty, then the original owner must bear the cost of storing and returning the product.

This is Woodstock International, Inc.'s sole written warranty and any and all warranties that may be implied by law, including any merchantability or fitness, for any particular purpose, are hereby limited to the duration of this written warranty. We do not warrant that **SHOP FOX**[®] machinery complies with the provisions of any law or acts. In no event shall Woodstock International, Inc.'s liability under this warranty exceed the purchase price paid for the product, and any legal actions brought against Woodstock International, Inc. shall be tried in the State of Washington, County of Whatcom. We shall in no event be liable for death, injuries to persons or property or for incidental, contingent, special or consequential damages arising from the use of our products.

Every effort has been made to ensure that all **SHOP FOX**[®] machinery meets high quality and durability standards. We reserve the right to change specifications at any time because of our commitment to continuously improve the quality of our products.

WARRANTY REGISTRATION

Name _____

Street _____

City _____ State _____ Zip _____

Phone Number _____ E-Mail _____ FAX _____

MODEL # _____ SERIAL # _____ DEALER NAME _____ PURCHASE DATE ____ / ____ / ____

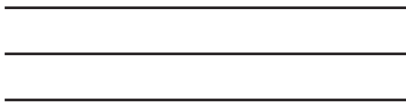
The following information is given on a voluntary basis and is strictly confidential.

CUT ALONG DOTTED LINE

- | | |
|--|--|
| <p>1. How did you first learn about us?</p> <p> <input type="checkbox"/> Advertisement <input type="checkbox"/> Friend
 <input type="checkbox"/> Mail order Catalog <input type="checkbox"/> Local Store
 <input type="checkbox"/> World Wide Web Site

 <input type="checkbox"/> Other _____ </p> | <p>9. What stationary woodworking tools do you own? Check all that apply.</p> <p> <input type="checkbox"/> Air Compressor <input type="checkbox"/> Panel Saw
 <input type="checkbox"/> Band Saw <input type="checkbox"/> Planer
 <input type="checkbox"/> Drill Press <input type="checkbox"/> Power Feeder
 <input type="checkbox"/> Drum Sander <input type="checkbox"/> Radial Arm Saw
 <input type="checkbox"/> Dust Collector <input type="checkbox"/> Shaper
 <input type="checkbox"/> Horizontal Boring Machine <input type="checkbox"/> Spindle Sander
 <input type="checkbox"/> Jointer <input type="checkbox"/> Table Saw
 <input type="checkbox"/> Lathe <input type="checkbox"/> Vacuum Veneer Press
 <input type="checkbox"/> Mortiser <input type="checkbox"/> Wide Belt Sander
 <input type="checkbox"/> Other _____ </p> |
| <p>2. Which of the following magazines do you subscribe to.</p> <p> <input type="checkbox"/> Cabinetmaker <input type="checkbox"/> WOOD
 <input type="checkbox"/> Family Handyman <input type="checkbox"/> Wooden Boat
 <input type="checkbox"/> Fine Homebuilding <input type="checkbox"/> Woodshop News
 <input type="checkbox"/> Woodsmith <input type="checkbox"/> Today's Homeowner
 <input type="checkbox"/> Home Handyman <input type="checkbox"/> Woodwork
 <input type="checkbox"/> Journal of Light Construction <input type="checkbox"/> Woodworker
 <input type="checkbox"/> Old House Journal <input type="checkbox"/> Woodworker's Journal
 <input type="checkbox"/> Popular Mechanics <input type="checkbox"/> Workbench
 <input type="checkbox"/> Popular Science <input type="checkbox"/> American How-To
 <input type="checkbox"/> Popular Woodworking
 <input type="checkbox"/> Other _____ </p> | <p>10. Which benchtop tools do you own? Check all that apply.</p> <p> <input type="checkbox"/> 1" x 42" Belt Sander <input type="checkbox"/> 6" - 8" Grinder
 <input type="checkbox"/> 5" - 8" Drill Press <input type="checkbox"/> Mini Lathe
 <input type="checkbox"/> 8" Table Saw <input type="checkbox"/> 10" - 12" Thickness Planer
 <input type="checkbox"/> 8" - 10" Overarm Router <input type="checkbox"/> Scroll Saw
 <input type="checkbox"/> Disc/Belt Sander <input type="checkbox"/> Spindle/Belt Sander
 <input type="checkbox"/> Mini Jointer
 <input type="checkbox"/> Other _____ </p> |
| <p>3. Which of the following woodworking/remodeling shows do you watch?</p> <p> <input type="checkbox"/> Backyard America <input type="checkbox"/> The New Yankee Workshop
 <input type="checkbox"/> Home Time <input type="checkbox"/> This Old House
 <input type="checkbox"/> The American Woodworker <input type="checkbox"/> Woodwright's Shop
 <input type="checkbox"/> Other _____ </p> | <p>11. Which portable/hand held power tools do you own? Check all that apply.</p> <p> <input type="checkbox"/> Belt Sander <input type="checkbox"/> Orbital Sander
 <input type="checkbox"/> Biscuit Joiner <input type="checkbox"/> Palm Sander
 <input type="checkbox"/> Circular Saw <input type="checkbox"/> Portable Planer
 <input type="checkbox"/> Detail Sander <input type="checkbox"/> Saber Saw
 <input type="checkbox"/> Drill/Driver <input type="checkbox"/> Reciprocating Saw
 <input type="checkbox"/> Miter Saw <input type="checkbox"/> Router
 <input type="checkbox"/> Other _____ </p> |
| <p>4. What is your annual household income?</p> <p> <input type="checkbox"/> \$20,000-\$29,999 <input type="checkbox"/> \$60,000-\$69,999
 <input type="checkbox"/> \$30,000-\$39,999 <input type="checkbox"/> \$70,000-\$79,999
 <input type="checkbox"/> \$40,000-\$49,999 <input type="checkbox"/> \$80,000-\$89,999
 <input type="checkbox"/> \$50,000-\$59,999 <input type="checkbox"/> \$90,000 + </p> | <p>12. What machines/supplies would you like to see?</p> <p>_____</p> <p>_____</p> <p>_____</p> |
| <p>5. What is your age group?</p> <p> <input type="checkbox"/> 20-29 <input type="checkbox"/> 50-59
 <input type="checkbox"/> 30-39 <input type="checkbox"/> 60-69
 <input type="checkbox"/> 40-49 <input type="checkbox"/> 70 + </p> | <p>13. What new accessories would you like Woodstock International to carry?</p> <p>_____</p> <p>_____</p> |
| <p>6. How long have you been a woodworker?</p> <p> <input type="checkbox"/> 0 - 2 Years <input type="checkbox"/> 8 - 20 Years
 <input type="checkbox"/> 2 - 8 Years <input type="checkbox"/> 20+ Years </p> | <p>14. Do you think your purchase represents good value?</p> <p> <input type="checkbox"/> Yes <input type="checkbox"/> No </p> |
| <p>7. How would you rank your woodworking skills?</p> <p> <input type="checkbox"/> Simple <input type="checkbox"/> Advanced
 <input type="checkbox"/> Intermediate <input type="checkbox"/> Master Craftsman </p> | <p>15. Would you recommend SHOP FOX® products to a friend?</p> <p> <input type="checkbox"/> Yes <input type="checkbox"/> No </p> |
| <p>8. How many SHOP FOX® machines do you own? _____</p> | <p>16. Comments: _____</p> <p>_____</p> <p>_____</p> <p>_____</p> |

FOLD ALONG DOTTED LINE



Place
Stamp
Here



WOODSTOCK INTERNATIONAL INC.
P.O. BOX 2309
BELLINGHAM, WA 98227-2309



FOLD ALONG DOTTED LINE

TAPE ALONG EDGES--PLEASE DO NOT STAPLE

